

/// IS 230



With a switching distance of up to 40 mm, this series in the M30 stainless steel design offers the greatest possible flexibility during mounting.

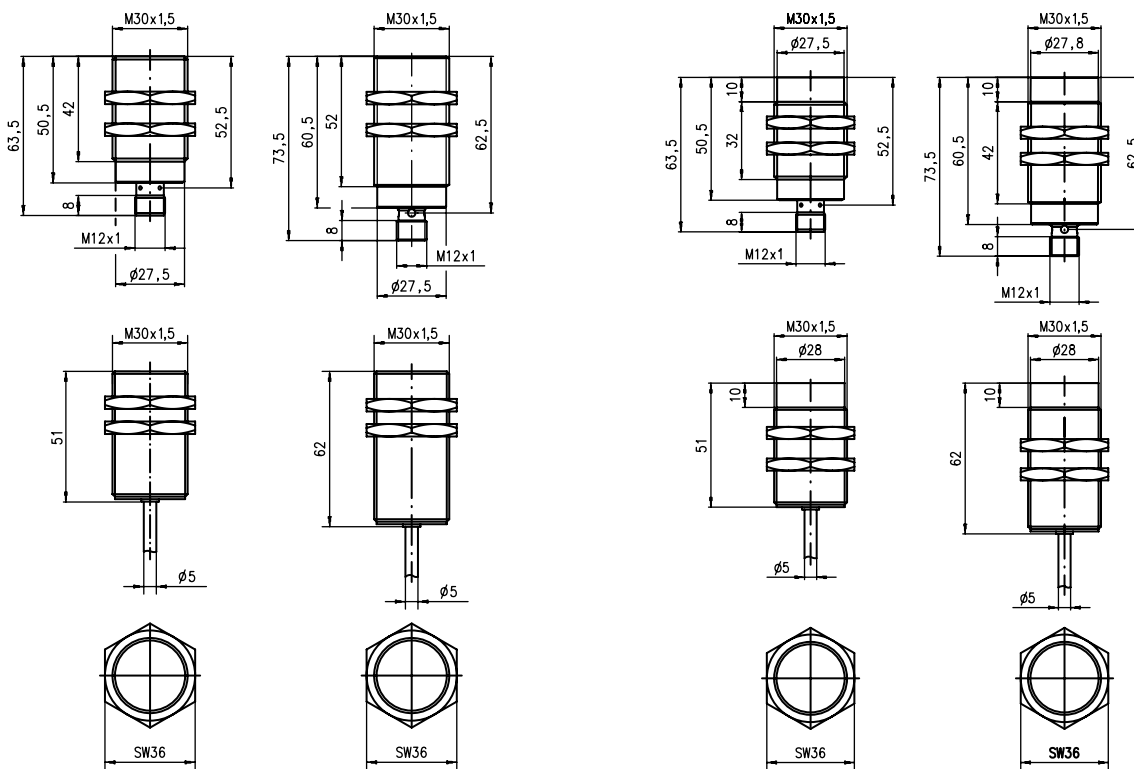


Benefits:

- Sturdy all-metal housing for high, permanent machine availability
- Housing of stainless steel 316L with degree of protection IP 69K for food & beverage applications as well as V2A housing material with degree of protection IP 68/ IP 69K
- Large ranges on stainless steel objects for reliable detection of machine parts, e. g. on packaging machinery in the foodstuffs sector
- Switching distance independent of object property (reduction factor 1)

Part no.	Part description	Operating range Sa Typ. operating range limit Sn	Switching frequency	Type of installation	Switching output 1	Description	Connection	Material
50111436	IS 230FM/4NO.5F-40N-S12	0 ... 32.4 mm 40 mm	90 Hz	Non-embedded	Transistor, PNP, make-contact (NO)	Reduction factor 1, DC	Connector, M12, 4-pin	Stainless steel
50111435	IS 230FM/4NO.5F-20E-S12	0 ... 16.2 mm 20 mm	100 Hz	Embedded	Transistor, PNP, make-contact (NO)	Reduction factor 1, DC	Connector, M12, 4-pin	Stainless steel
50128161	IS 230FM/4NC.5-10E-S12	0 ... 8.1 mm 10 mm	50 Hz	Embedded	Transistor, PNP, break-contact (NC)	Reduction factor 1, DC	Connector, M12, 4-pin	Stainless steel
50128162	IS 230FM/4NC.5-10E	0 ... 8.1 mm 10 mm	50 Hz	Embedded	Transistor, PNP, break-contact (NC)	Reduction factor 1, DC	Cable, 2,000 mm, 3-wire	Stainless steel
50128163	IS 230FM/4NO.5-10E-S12	0 ... 8.1 mm 10 mm	50 Hz	Embedded	Transistor, PNP, make-contact (NO)	Reduction factor 1, DC	Connector, M12, 4-pin	Stainless steel
50128164	IS 230FM/4NO.5-10E	0 ... 8.1 mm 10 mm	50 Hz	Embedded	Transistor, PNP, make-contact (NO)	Reduction factor 1, DC	Cable, 2,000 mm, 3-wire	Stainless steel
50128165	IS 230FM/2NO.5-10E-S12	0 ... 8.1 mm 10 mm	50 Hz	Embedded	Transistor, NPN, make-contact (NO)	Reduction factor 1, DC	Connector, M12, 4-pin	Stainless steel
50128166	IS 230FM/2NO.5-10E	0 ... 8.1 mm 10 mm	50 Hz	Embedded	Transistor, NPN, make-contact (NO)	Reduction factor 1, DC	Cable, 2,000 mm, 3-wire	Stainless steel

Dimensioned drawings: IS 230



IS 230 ... E ... series

IS 230 ... N ... series

Switching sensors

Measuring sensors

Products for safety at work

Identification

Data transmission / Control components

Industrial image processing

Accessories

ACCESSORIES: ALL STAINLESS STEEL SENSORS

Connection technology

Connection cables

Part no.	Part description	Connection 1	No. of pins	Cable length	Sheathing material
50104571	K-D M12W-4P-2m-FAB	Connector, M12, angled, female	4-pin	2,000 mm	FAB
50104573	K-D M12W-4P-5m-FAB	Connector, M12, angled, female	4-pin	5,000 mm	FAB
50130690	KD U-M12-4W-V1-050	Connector, M12, angled, female	4-pin	5,000 mm	PVC
50104570	K-D M12A-4P-2m-FAB	Connector, M12, axial, female	4-pin	2,000 mm	FAB
50104572	K-D M12A-4P-5m-FAB	Connector, M12, axial, female	4-pin	5,000 mm	FAB
50130648	KD U-M12-4A-V1-020	Connector, M12, axial, female	4-pin	2,000 mm	PVC
50130652	KD U-M12-4A-V1-050	Connector, M12, axial, female	4-pin	5,000 mm	PVC

Further connection cables can be found on our website

Mounting systems

Mounting brackets

Part no.	Part description	Design	Fastening at device	Fastening at system	Material
50113550	BT D08M.5	Angle, L-shape	Screw type	Through-hole mounting	Stainless steel
50113549	BT D12M.5	Angle, L-shape	Screw type	Through-hole mounting	Stainless steel

Further mounting brackets can be found on our website